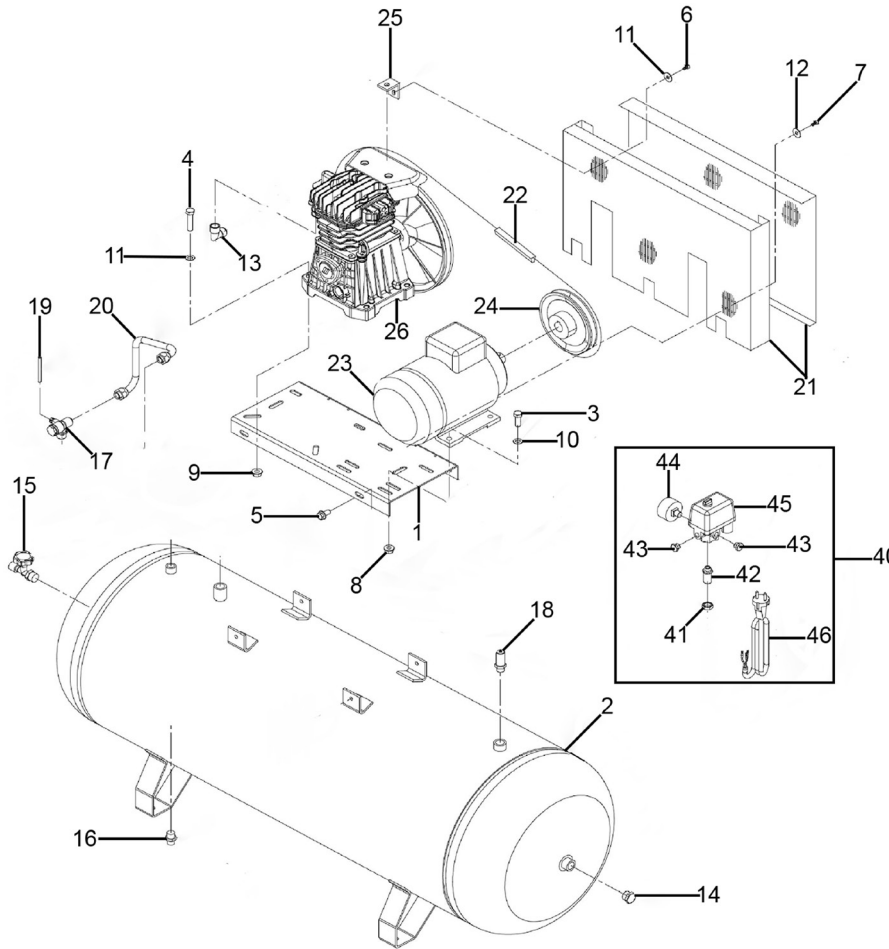




Parts Information:
**Air Compressor 150L Belt Drive 3hp with
 Cast Cylinders**
Model No: SAC1153B



| Item | Part No. | Description |
|------|---------------|---|
| 1 | SAC5010140008 | Base Plate |
| 2 | SAC5157260008 | Tank |
| 3 | SS825.S | Hex Head Set Screw M8 x 25mm |
| 4 | SS1045.S | Hex Head Set Screw M10 x 45mm |
| 5 | SFS1020.S | Hex Head Flange Bolt M10 x 20mm |
| 6 | MSP512.S | Machine Screw Pan Head Phillips M5 x 12mm |
| 7 | SAC7012170000 | Screw M5 x 8mm |
| 8 | SN8.S | Steel Nut M8 |
| 9 | SN10.S | Steel Nut M10 |
| 10 | FWM8.S | Flat Washer M8 |
| 11 | RW625.S | Repair Washer 6 x 25mm |
| 12 | RW619.S | Repair Washer 6 x 19mm |
| 13 | SAC7080160000 | Elbow |
| 14 | SAC7090030000 | Plug |
| 15 | SAC7130150000 | Ball Valve |
| 16 | SAC7130160000 | Drain Valve |
| 17 | SAC7190090000 | Non-Return Valve |

| Item | Part No. | Description |
|------|---------------|---|
| 18 | SAC7192090000 | Safety Valve |
| 19 | SAC7230010000 | Rislan Hose |
| 20 | SAC7233711000 | Delivery Pipe |
| 21 | SAC4170010000 | Belt Guard Kit |
| 22 | V/A47 | Belt |
| 23 | SAC1127380796 | Motor |
| 24 | SAC7409570000 | Motor Pulley |
| 25 | SAC7458510000 | Belt Guard Support |
| 26 | SAC9101880000 | Pump Unit |
| 40 | SAC4057630000 | Pressure Switch Kit (c/w Cables & Gauges) |
| 41 | SAC7023050000 | Lock Nut |
| 42 | SAC7088060000 | Connector |
| 43 | SAC7090070000 | Plug |
| 44 | SAC9700001789 | Pressure Gauge |
| 45 | SAC7250360000 | Pressure Switch |
| 46 | SAC7329010000 | Power Cable |

NOTE: It is our policy to continually improve products and as such we reserve the right to alter data, specifications and component parts without prior notice. There may be alternative versions of this product, please contact us should you require this information.

IMPORTANT: No liability is accepted for incorrect use of product. Spare parts must be fitted by a competent person

WARRANTY: Guarantee is 12 months from purchase date, proof of which will be required for any claim.

Sealey Group, Kempson Way, Suffolk Business Park, Bury St Edmunds, Suffolk. IP32 7AR



01284 757500



01284 703534



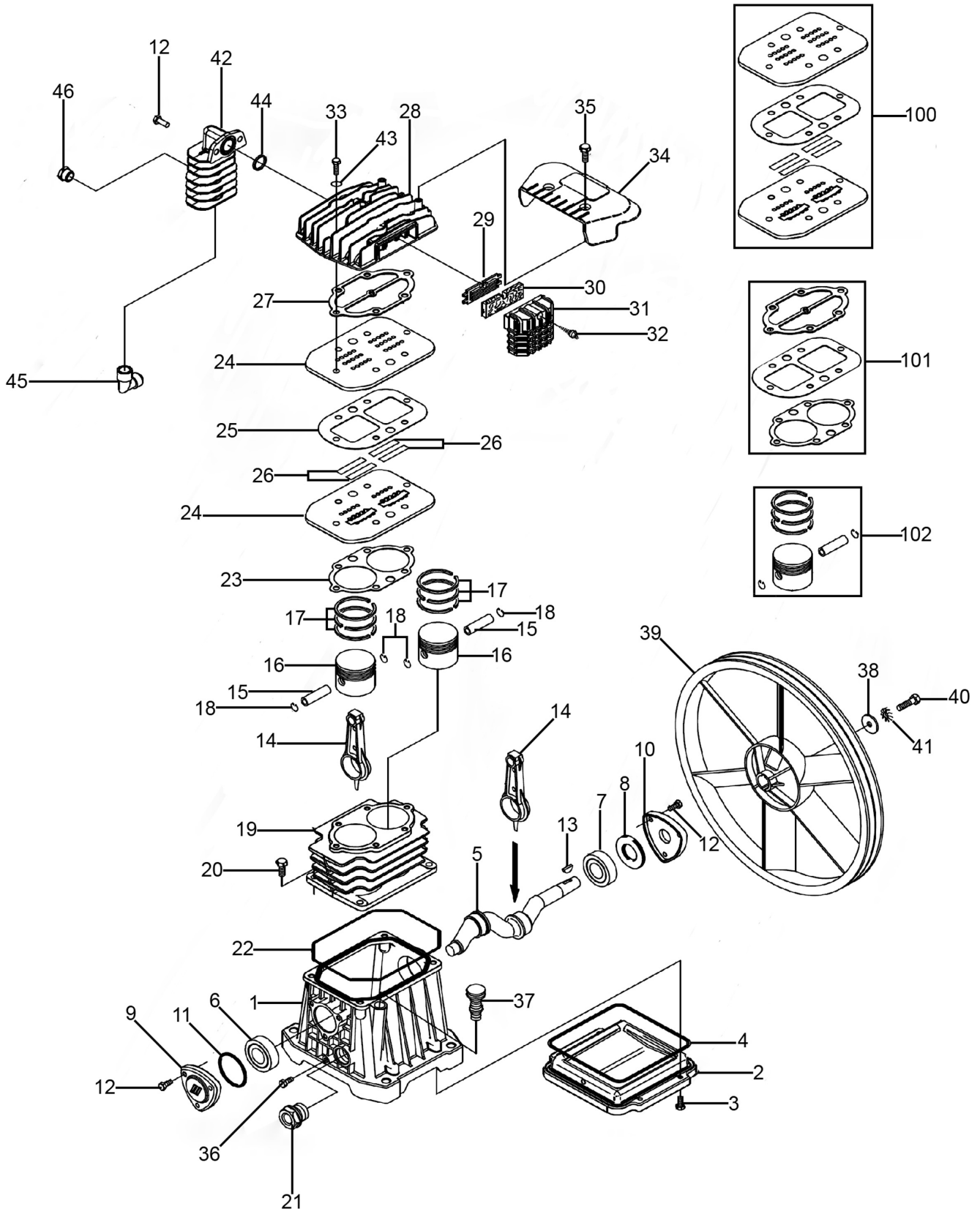
sales@sealey.co.uk



www.sealey.co.uk



Parts Information:
Air Compressor 150L Belt Drive 3hp with
Cast Cylinders
Model No: SAC1153B



NOTE: It is our policy to continually improve products and as such we reserve the right to alter data, specifications and component parts without prior notice. There may be alternative versions of this product, please contact us should you require this information.

IMPORTANT: No liability is accepted for incorrect use of product. Spare parts must be fitted by a competent person

WARRANTY: Guarantee is 12 months from purchase date, proof of which will be required for any claim.

Sealey Group, Kempson Way, Suffolk Business Park, Bury St Edmunds, Suffolk. IP32 7AR



01284 757500



01284 703534



sales@sealey.co.uk



www.sealey.co.uk



Parts Information:
**Air Compressor 150L Belt Drive 3hp with
 Cast Cylinders**
Model No: SAC1153B

| Item | Part No. | Description |
|------|---------------|--------------------------------|
| 1 | SAC9700001075 | Crankcase |
| 2 | SAC9700001076 | Crankcase Cover |
| 3 | SAC9700000531 | Screw M5 x 12mm |
| 4 | SAC9700001077 | Crankcase Base Seal |
| 5 | SAC9100270140 | Crankshaft |
| 6 | B/6203 | Bearing |
| 7 | B/6204 | Bearing |
| 8 | SAC9100270150 | Oil Seal |
| 9 | SAC9100270160 | Front Cover |
| 10 | SAC9100270170 | Rear Cover |
| 11 | SA36.V2-36 | O-Ring |
| 12 | SAC7011420000 | Screw M6 x 16mm |
| 13 | SAC9100280020 | Key |
| 14 | SAC9100270010 | Connection Rod |
| 15 | SAC9100270020 | Gudgeon Pin |
| 16 | SAC9100270030 | Piston |
| 17 | SAC4080120000 | Piston Ring Kit |
| 18 | SAC9100270070 | Seeger Ring |
| 19 | SAC9100270080 | Cylinder |
| 20 | SFS825.S | Hex Head Flange Bolt M8 x 25mm |
| 21 | SAC9100280070 | Oil Sight Glass |
| 22 | SAC9100270180 | Gasket, Cylinder Base |
| 23 | SAC9100270190 | Gasket |
| 24 | SAC9100270090 | Valve Plate |
| 25 | SAC9100270200 | Gasket |

| Item | Part No. | Description |
|------|---------------|---|
| 26 | SAC9100280090 | Valve |
| 27 | SAC9100270210 | Gasket |
| 28 | SAC9100270100 | Cylinder Head |
| 29 | SAC7458340000 | Plate |
| 30 | SAC7210010000 | Filter Element |
| 31 | SAC9100270240 | Intake Filter |
| 32 | SAC7012100000 | Rd Head S/T Screw M3.8 x 15mm |
| 33 | SCB855.S | Socket Cap Bolt M8 x 55mm |
| 34 | SAC9100270220 | Cover |
| 35 | MSP512.S | Machine Screw Pan Head Phillips M5 x 12mm |
| 36 | SS616.S | Hex Head Set Screw M6 x 16mm |
| 37 | SAC1129700300 | Breather Plug |
| 38 | RW825.S | Repair Washer M8 x 25mm |
| 39 | SAC9100270230 | Flywheel |
| 40 | SS825.S | Hex Head Set Screw M8 x 25mm |
| 41 | SAC7031010000 | Toothed Washer |
| 42 | SAC9100270270 | Aftercooler |
| 43 | FWM8.S | Flat Washer M8 |
| 44 | SAC9100270280 | O-Ring |
| 45 | SAC7080160000 | Elbow |
| 46 | SAC9700000693 | Plug |
| 100 | SAC9700003272 | Valve Plate Assembly |
| 101 | SAC9700000078 | Gasket Kit |
| 102 | SAC9700010170 | Piston Kit |

NOTE: It is our policy to continually improve products and as such we reserve the right to alter data, specifications and component parts without prior notice. There may be alternative versions of this product, please contact us should you require this information.

IMPORTANT: No liability is accepted for incorrect use of product. Spare parts must be fitted by a competent person

WARRANTY: Guarantee is 12 months from purchase date, proof of which will be required for any claim.

Sealey Group, Kempson Way, Suffolk Business Park, Bury St Edmunds, Suffolk. IP32 7AR



01284 757500



01284 703534



sales@sealey.co.uk



www.sealey.co.uk